

VORTEX TUBES - Dimensional Overview

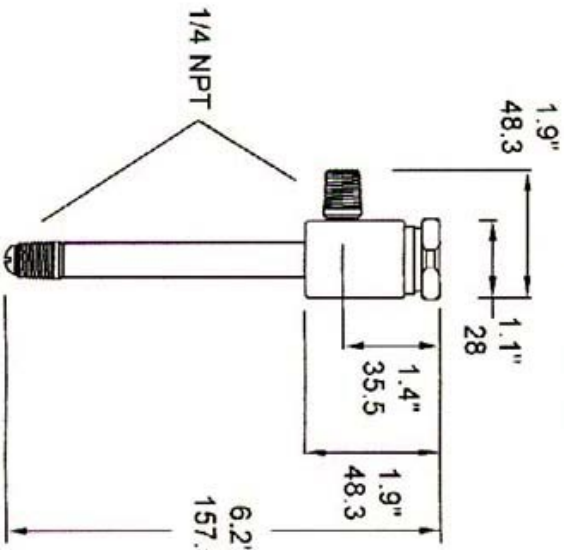
VORTEX TUBE MODELS

50010C - 50040C
50010H - 50040H

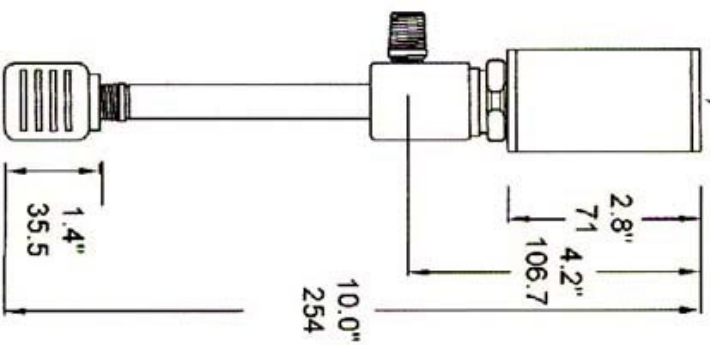
FLOW RATE:
10 - 40 SCFM
(283 - 1133 SLPM)

ASSEMBLED with MUFFLERS

COLD MUFFLER
MODEL 55002
3/8 NPTF (Female)



HOT MUFFLER
MODEL 55003



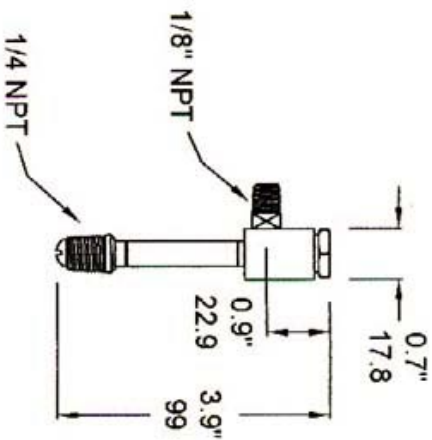
VORTEX TUBE MODELS

50002C - 50008C
50002H - 50008H

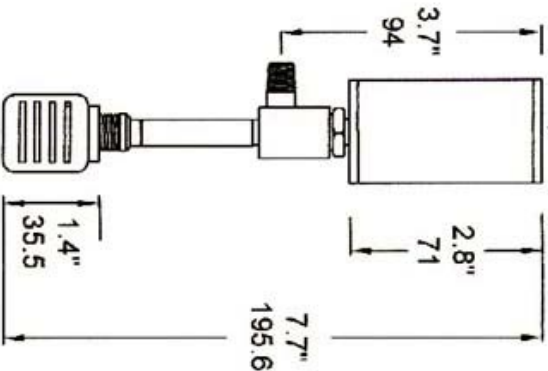
Flow Rate:
2 - 8 SCFM
(57 - 227 SLPM)

ASSEMBLED with MUFFLERS

COLD MUFFLER
MODEL 55001
3/8 NPTF (Female)



HOT MUFFLER
MODEL 55003



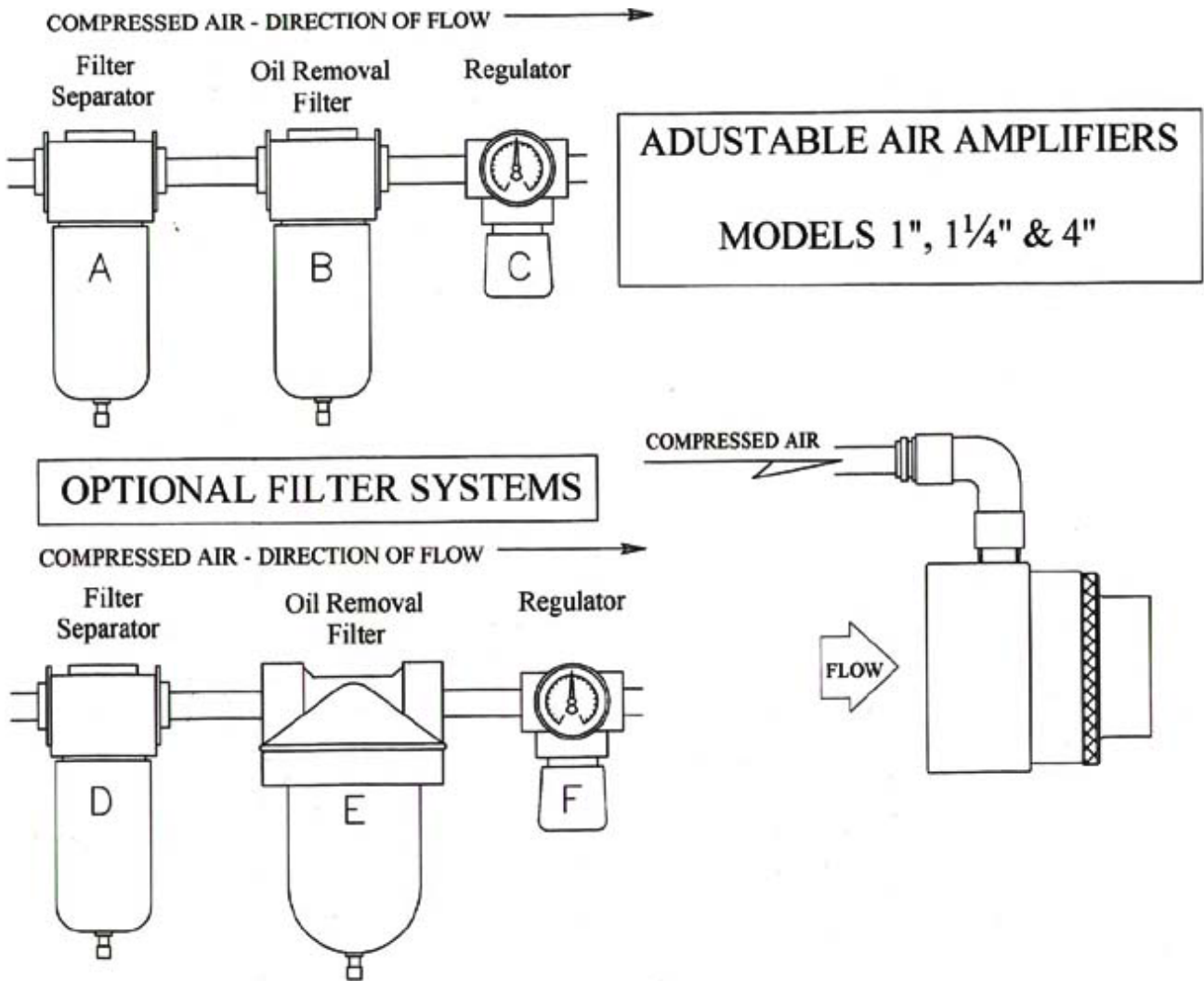
using a mild solvent and clean rag. To prevent contaminants from getting pushed back into the Adjustable Air Amplifier gap, do the cleaning with a small amount of compressed air passing through the unit.

Troubleshooting

With zero moving parts, there is little that can go with an Adjustable Air Amplifier. However, certain factors can cause a reduction in flow or force and thereby reducing the performance of the unit.

If the force or flow seems to be below normal, install a pressure gage near the inlet of the Adjustable Air Amplifier. If the pressure is low, it may be due to undersized airlines, perhaps restrictive fittings, or from clogged filter elements. These things should be checked, in particular the fittings used and the filter elements.

If you have any questions or problems, please contact:



Leading Technology Into The Future
NEX FLOW™

USA & CANADA
 Tel: (877) 797-2777
 Fax: (877) 797-2660

INTERNATIONAL
 Tel: (416) 410-1313
 Fax: (416) 410-1806

INTERNET
www.nexflowair.com
sales@nexflowair.com