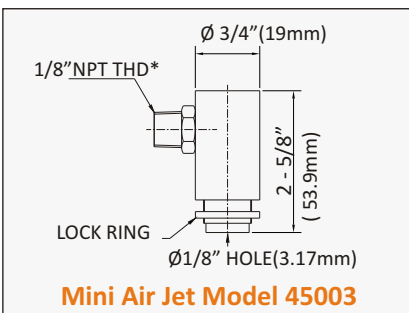
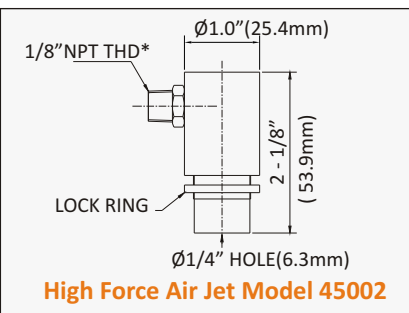
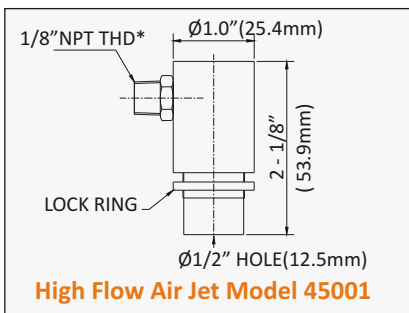


AIRJETS:

Air Jets are larger than Nozzles and used when a wider area needs to be hit with the amplified air. They are significantly more efficient than Nozzles although often use as much compressed air. Their best use is to replace pairs of Nozzles that are used for part ejection or for blowoff applications that require greater force than that provided by Air Knives or Air Movers. Nozzles are for point use while air jets can fan out somewhat for better continuous blowoff when a row of them are made. Nex Flow™ Jets are all made adjustable with a lock ring to assure the security of any gap setting. They have a female 1/8" NPT and made lightweight with anodized aluminum.

From left to right is the High Flow Air Jet (Model 45001) the High Force Air Jet (Model 45002) and the Mini Air Jet (Model 45003).



The **Mini Air Jet Model 45003** is ideal for small spots where a Nozzle may not be adequate for wider coverage of air flow. It is most compact air jet available with high force and adjustability. Sound level is 82 dBA at 3ft (0.91mm) at 80 psig (5.6 bar).

Model 45001 / 45002 - High Flow Air Jet are physically the same size. The only difference is a larger exit opening for the amplified air flow. The high flow system is used more for cooling and light blowoff while the high force version is used mainly for heavier blowoff applications.

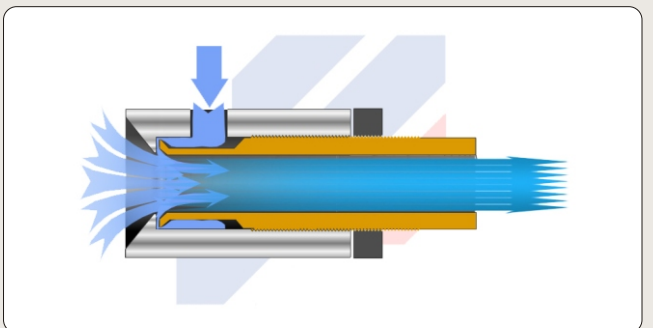
The Sound level for Model 45001 is 80 dBA and for the Model 45002 it is 82 dBA at 3ft (0.91mm) at 80 psig (5.6 bar).

***BSP Thread or adaptors can be supplied depending on country location.**

Air Jets perform similar to Adjustable Air Amplifiers - with the same lock ring and methodology. **Nex Flow™** Air Jets are adjustable and come with a lock ring to fix the gap.

HOW IT WORKS

Model 45001, 45002 and 45003 Air Jets use a small amount of compressed air entering the annular chamber and exit via small ring nozzle at high speed over a "coanda" profile. This creates a vacuum entraining outside air converting the pressure to a high flow output while maintaining a high blowoff force. Energy cost and noise levels are reduced as a result.



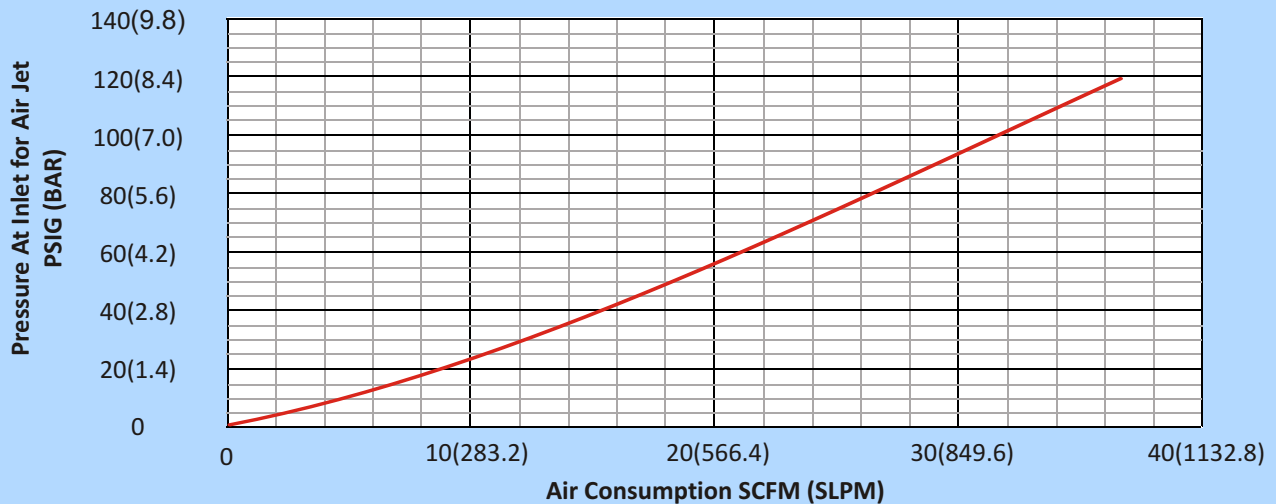
RIGID FLEX HOSE NOZZLE ACCESSORIES - TO HOLD AND AIM NOZZLES AND JETS



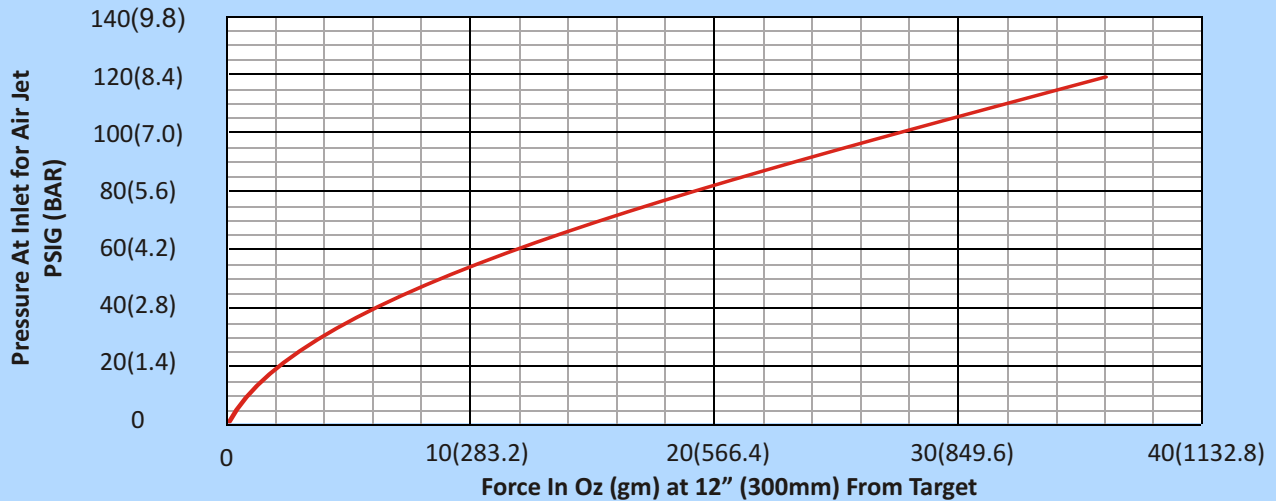
The unique Nex Flow™ RIGID FLEX hose is an all stainless steel hose that does not break after a few bends like competitive rubber hoses with simple copper inserts. It is resistant to creep and crimping. Its all stainless construction allows it use in any difficult environment. They have 1/4" male NPT welded end connections and come in 6" and 12" overall lengths.



Air Consumption At Various Pressure for Air Jet Model 45001 - .004" setting

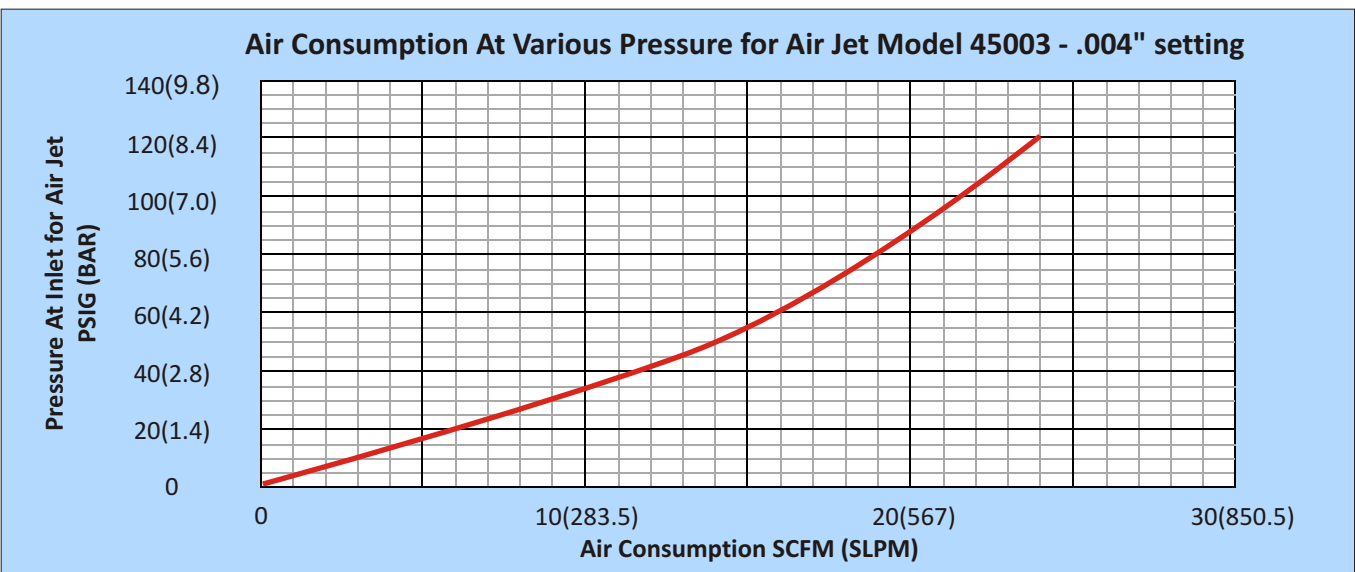
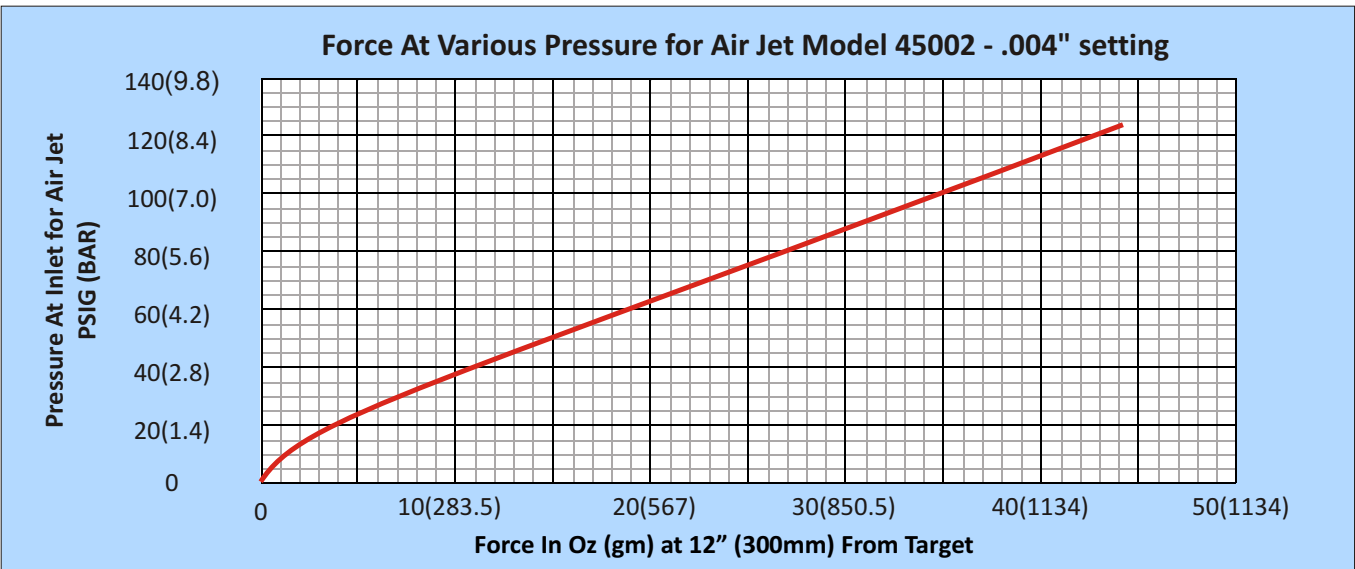
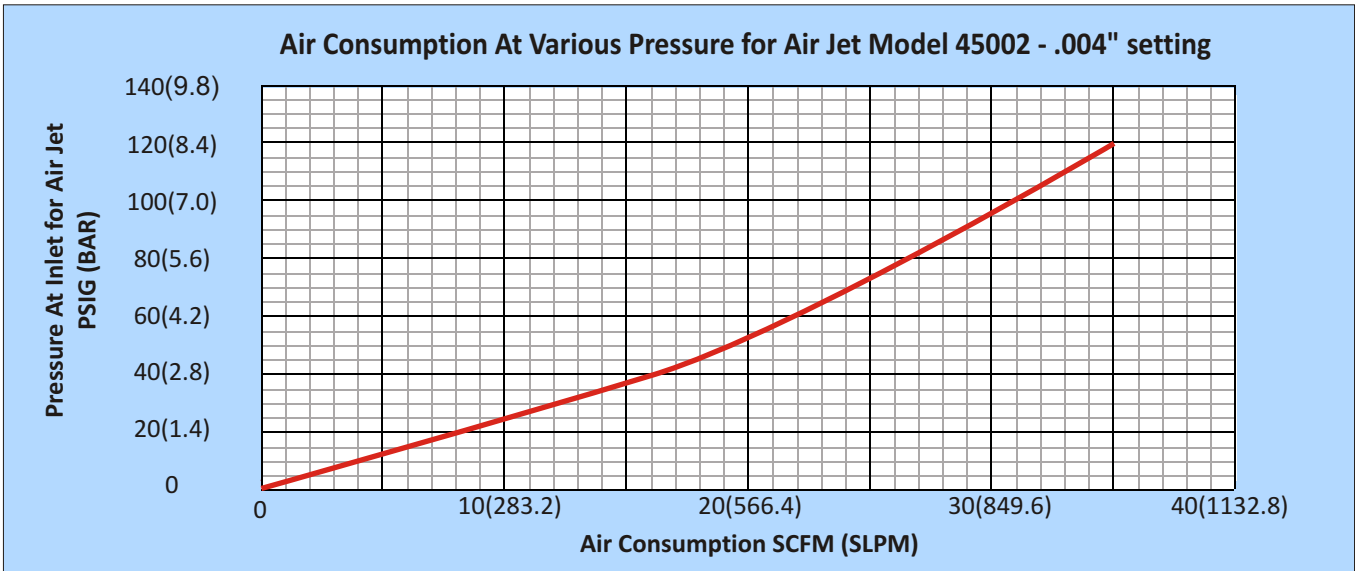


Force At Various Pressure for Air Jet Model 45001 - .004" setting

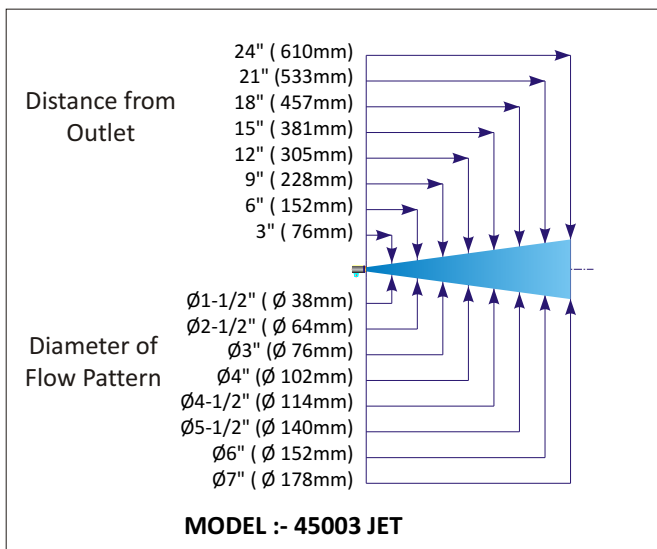
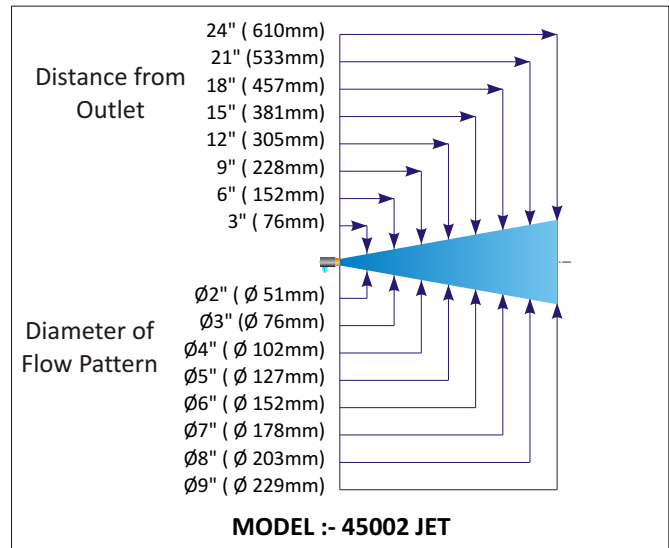
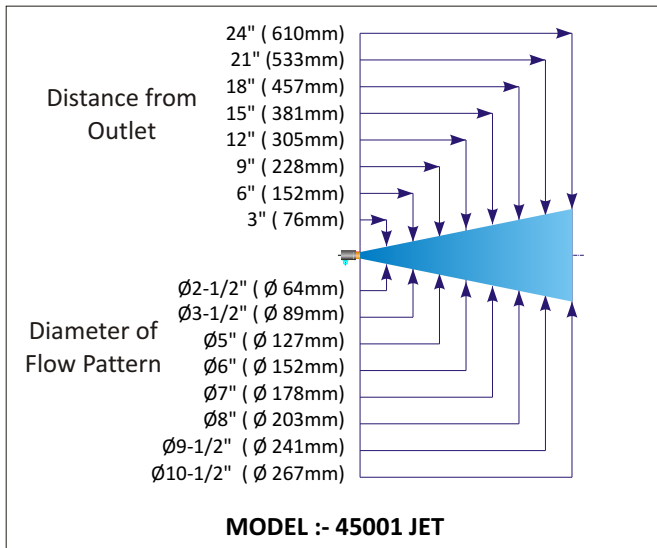
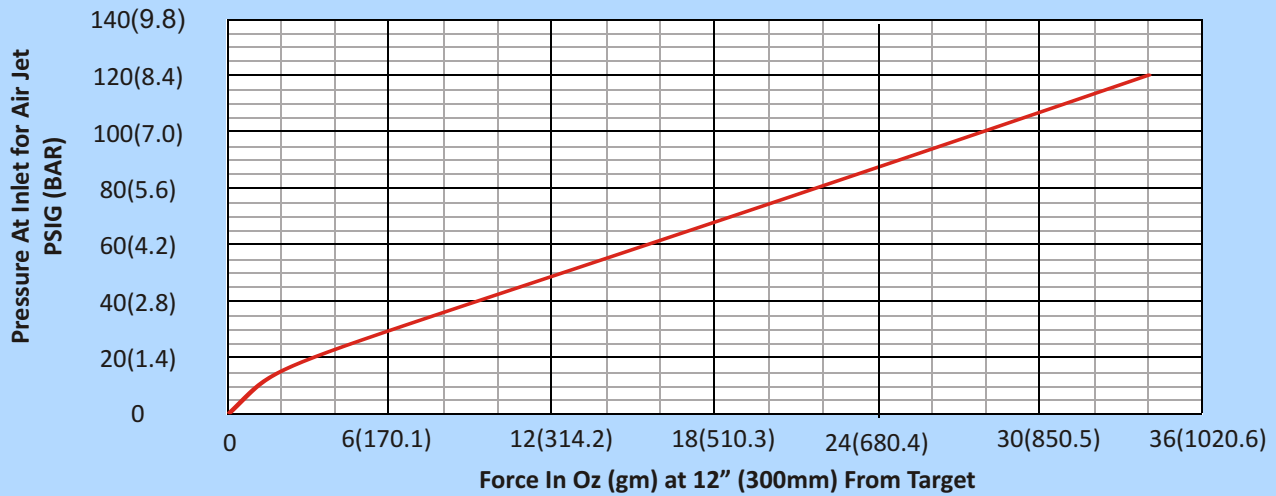


AIR NOZZLES AND JETS





Force At Various Pressure for Air Jet Model 45003 - .004" setting



AIR JETS

PART NO.	DESCRIPTION
45001	High Flow Air Jet
45002	High Force Air Jet
45003	Mini - High Force Air jet

STAINLESS STEEL RIGID FLEX HOSE

PART NO.	DESCRIPTION
6RF	6" Stainless Steel Rigid Hose which can be flexed to a shape
12RF	12" Stainless Steel Rigid Hose which can be flexed to a shape

AIR NOZZLES AND JETS